

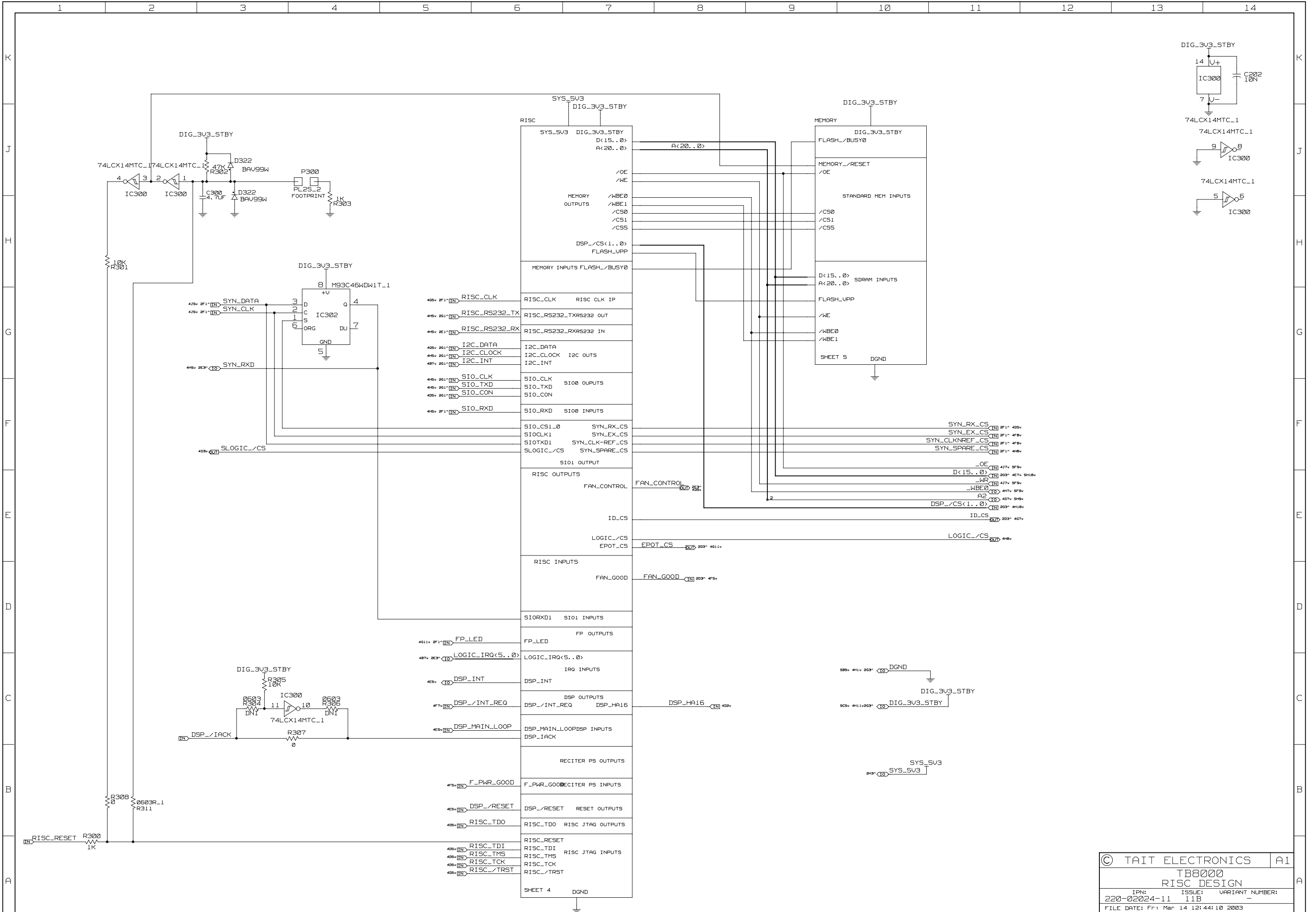
© TAIT ELECTRONICS A1

T8800  
RECITER CONTROL

IPN: 220-02024-11 ISSUE: 11B VARIANT NUMBER: -  
 FILE DATE: Fri Mar 14 12:44:08 2003  
 ENGINEER: MN FILE NAME: 220\_02024 SHEET NUMBER: 1 OF 18

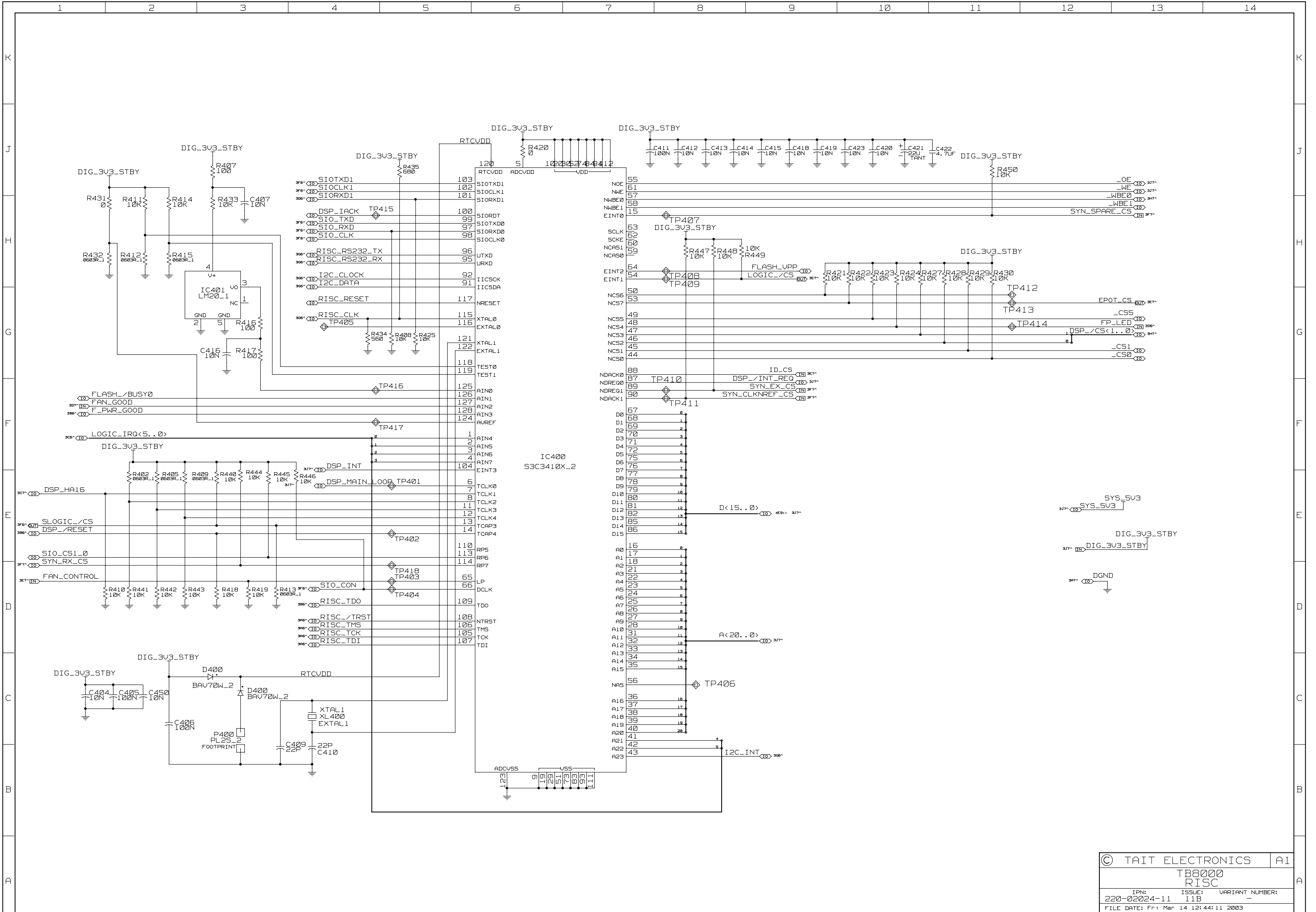
11B	DCO 02024-021, VALUE CHANGES, NOTES ADDED	SA	MN	CK	MN	12/3/03
REV/ISS	AMENDMENTS	DRAWN	CHKD	D.O.	APVD	DATE
1						
2						
3						
4						
5						
6						
7						
8						
9						
10						
11						
12						
13						
14						





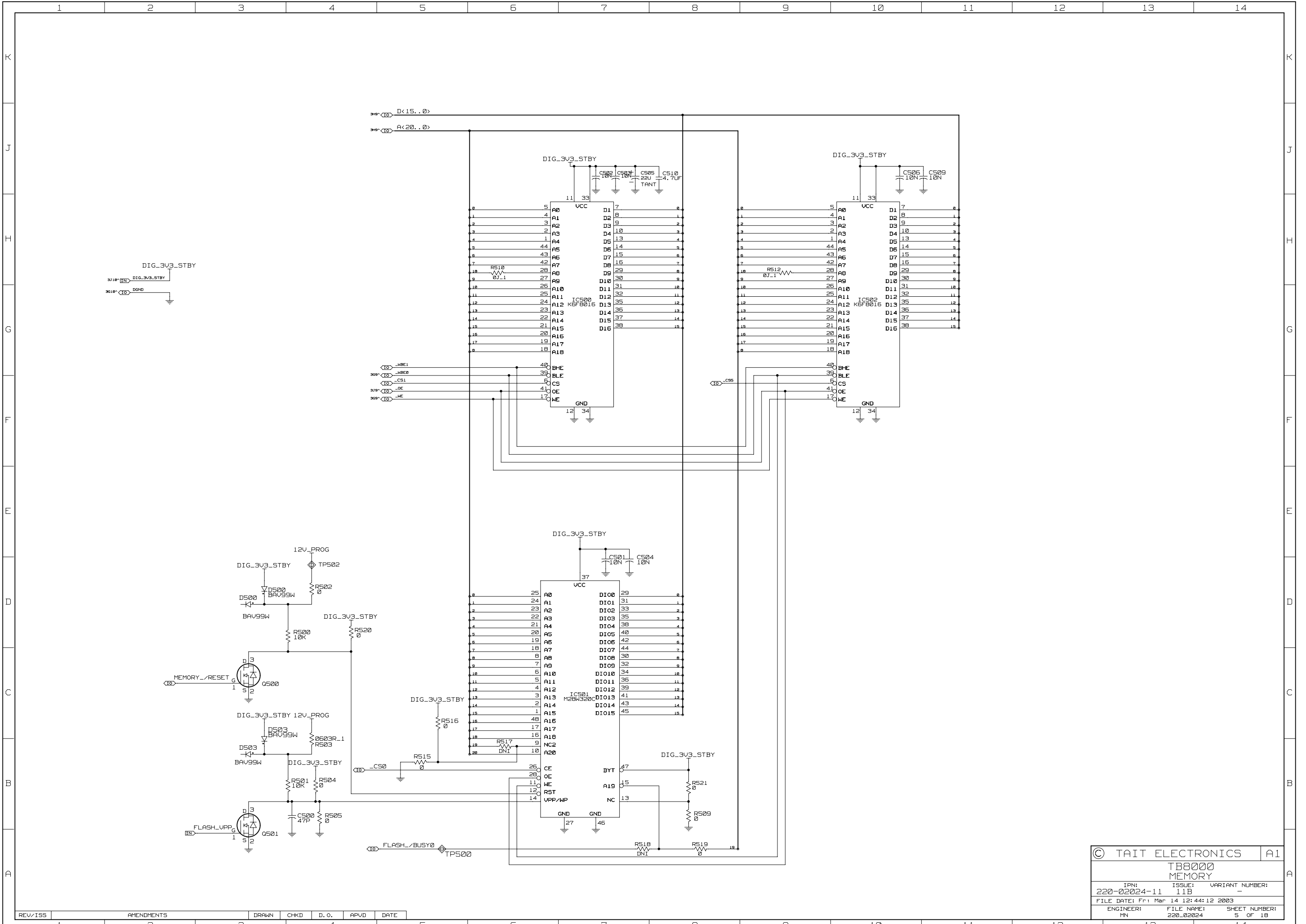
© TAIT ELECTRONICS		A1
T88000 RISC DESIGN		
IPN: 220-02024-11	ISSUE: 11B	VARIANT NUMBER: -
FILE DATE: Fri Mar 14 12:44:10 2003		
ENGINEER: MN	FILE NAME: 220_02024	SHEET NUMBER: 3 OF 18

REV/ISS	AMENDMENTS	DRAWN	CHKD	D.O.	APVD	DATE
1						



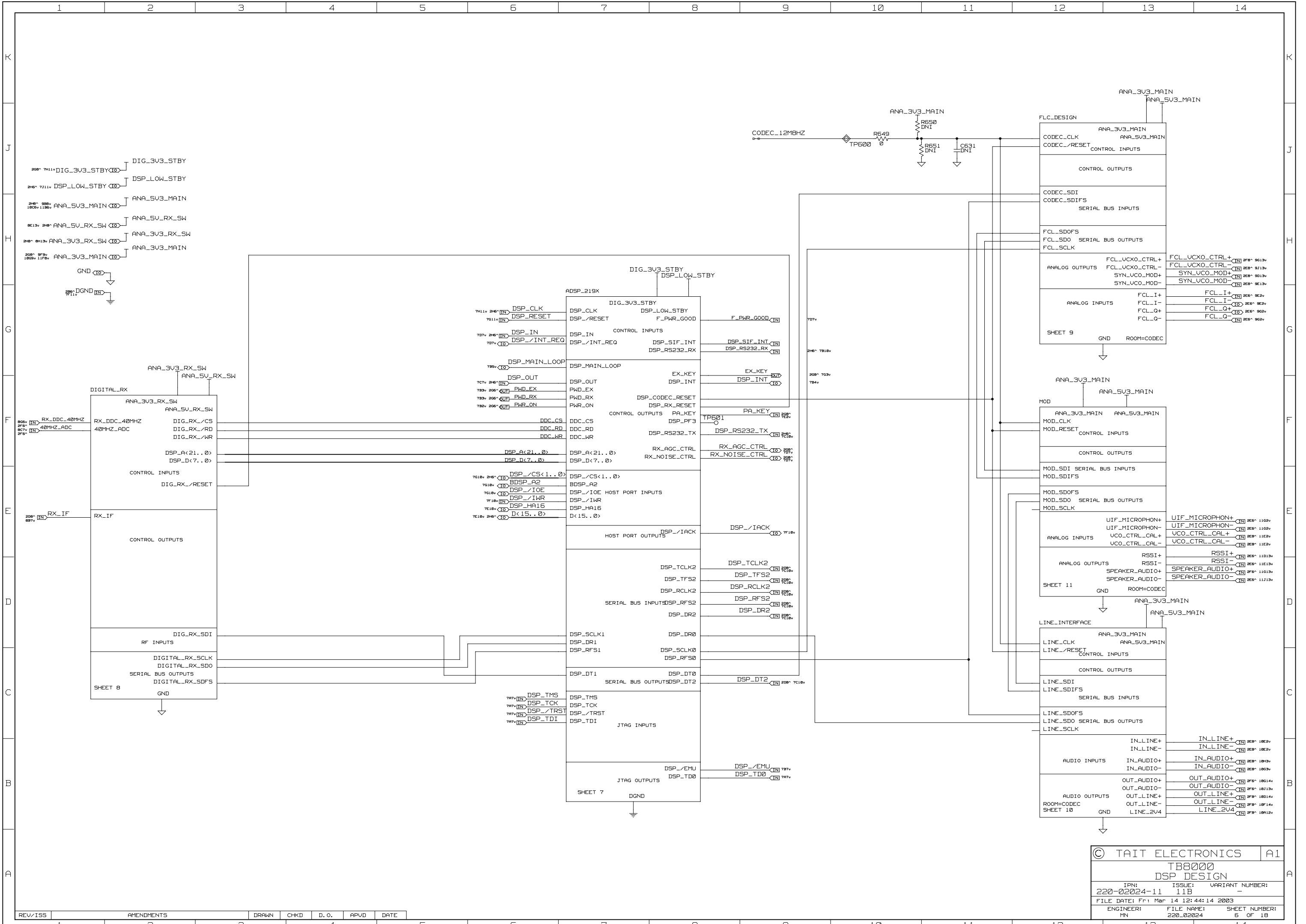
© TAIT ELECTRONICS		A1
TB8000 RISC		
IPN: 220-02024-11	ISSUE: 11B	VARIANT NUMBER: -
FILE DATE: Fri Mar 14 12:44:11 2003		
ENGINEER: MN	FILE NAME: 220_02024	SHEET NUMBER: 4 OF 18

REV/ISS	AMENDMENTS	DRAWN	CHKD	D.O.	APVD	DATE
1						



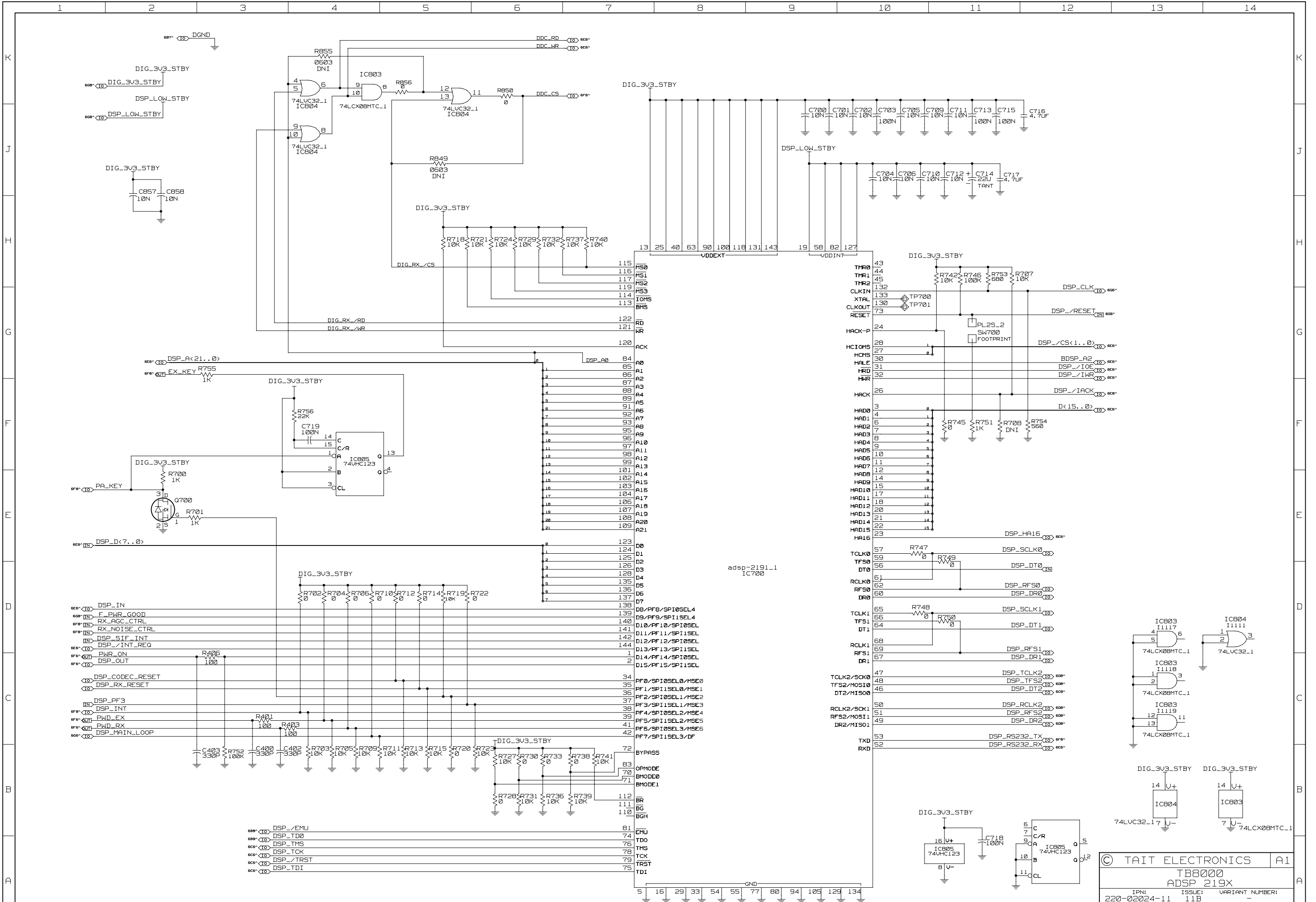
© TAIT ELECTRONICS		A1
TB8000 MEMORY		
IPN: 220-02024-11	ISSUE: 11B	VARIANT NUMBER: -
FILE DATE: Fri Mar 14 12:44:12 2003		
ENGINEER: MN	FILE NAME: 220_02024	SHEET NUMBER: 5 OF 18

REV/ISS	AMENDMENTS	DRAWN	CHKD	D.O.	APVD	DATE
1						



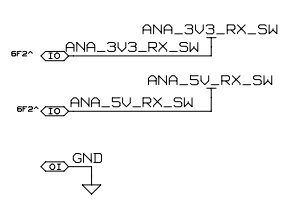
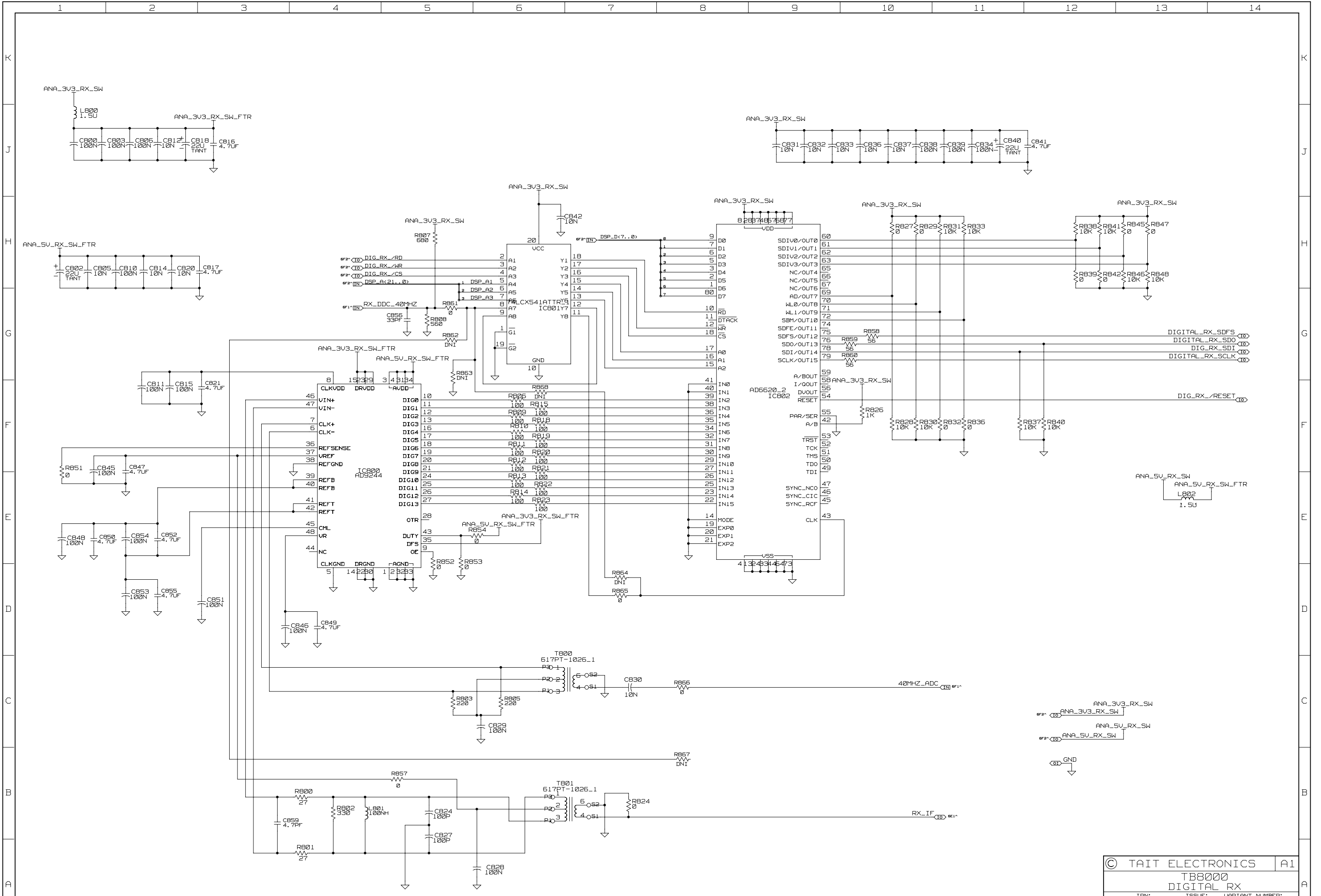
© TAIT ELECTRONICS A1  
 TB8000  
 DSP DESIGN  
 IPN: 220-02024-11 ISSUE: 11B VARIANT NUMBER: -  
 FILE DATE: Fri Mar 14 12:44:14 2003  
 ENGINEER: MN FILE NAME: 220\_02024 SHEET NUMBER: 6 OF 18

REV/ISS	AMENDMENTS	DRAWN	CHKD	D.O.	APVD	DATE
1						



© TAIT ELECTRONICS		A1
T88000 ADSP 219X		
IPN: 220-02024-11	ISSUE: 11B	VARIANT NUMBER: -
FILE DATE: Fri Mar 14 12:44:15 2003		
ENGINEER: MN	FILE NAME: 220_02024	SHEET NUMBER: 7 OF 18

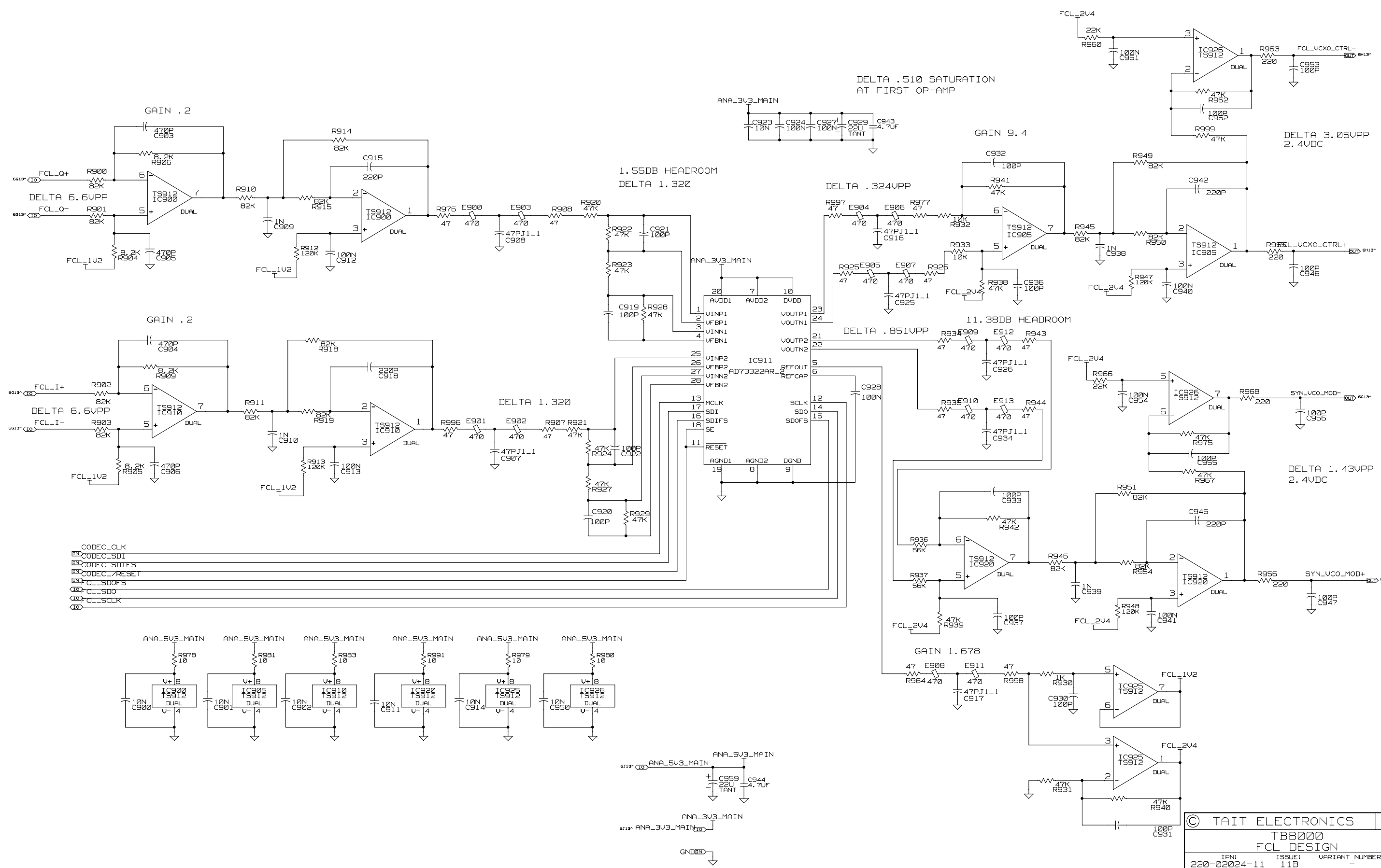
REV/ISS	AMENDMENTS	DRAWN	CHKD	D.O.	APVD	DATE
1						



© TAIT ELECTRONICS		A1
T8000 DIGITAL RX		
IPN: 220-02024-11	ISSUE: 11B	VARIANT NUMBER: -
FILE DATE: Fri Mar 14 12:44:16 2003		
ENGINEER: MN	FILE NAME: 220_02024	SHEET NUMBER: 8 OF 18

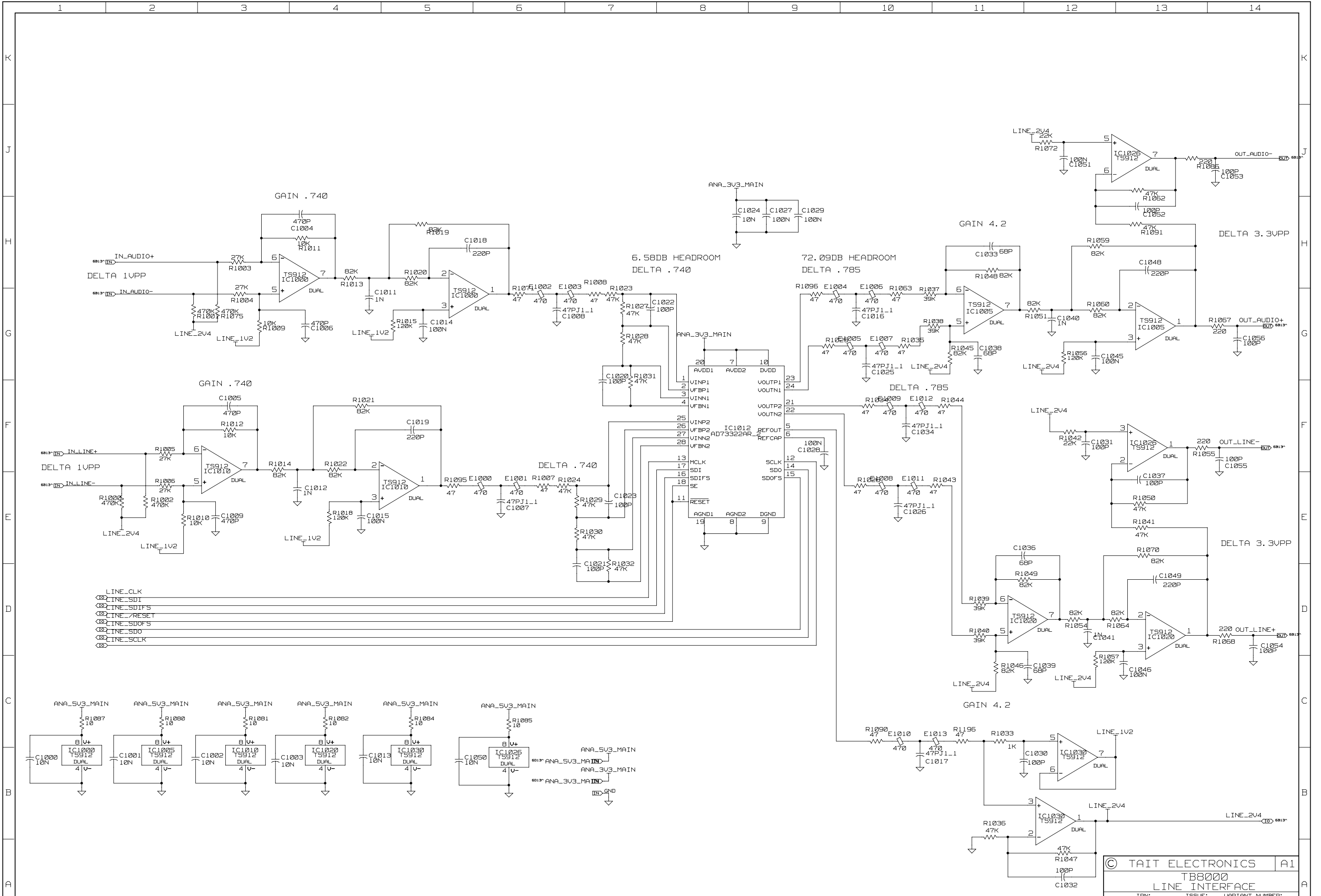
REV/ISS	AMENDMENTS	DRAWN	CHKD	D.O.	APVD	DATE
1						





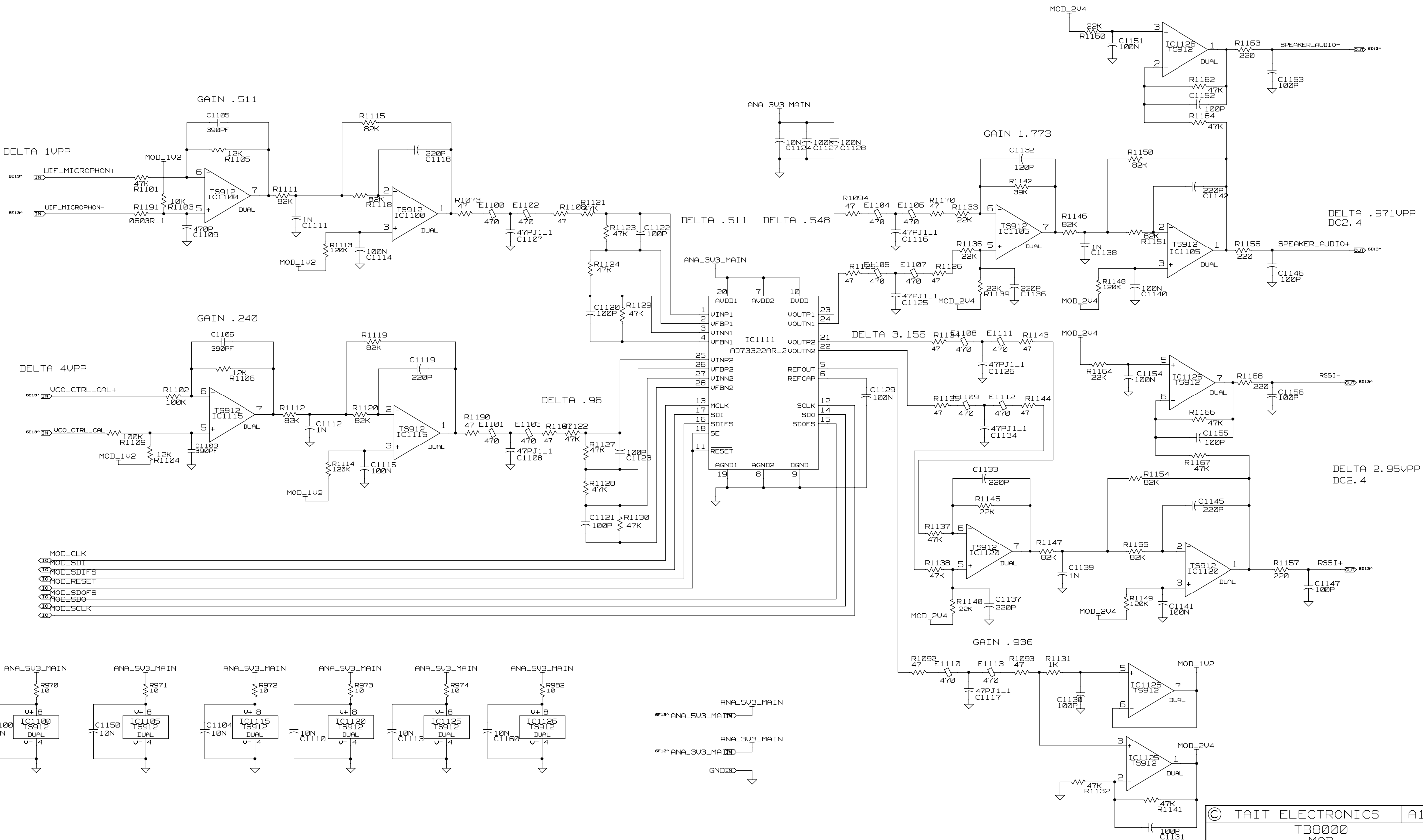
© TAIT ELECTRONICS		A1
T88000 FCL DESIGN		
IPN: 220-02024-11	ISSUE: 11B	VARIANT NUMBER: -
FILE DATE: Fri Mar 14 12:44:18 2003		
ENGINEER: MN	FILE NAME: 220_02024	SHEET NUMBER: 9 OF 18

REV/ISS	AMENDMENTS	DRAWN	CHKD	D.O.	APVD	DATE
1						



© TAIT ELECTRONICS		A1
T88000		
LINE INTERFACE		
IPN: 220-02024-11	ISSUE: 11B	VARIANT NUMBER: -
FILE DATE: Fri Mar 14 12:44:19 2003		
ENGINEER: MN	FILE NAME: 220_02024	SHEET NUMBER: 10 OF 18

REV/ISS	AMENDMENTS	DRAWN	CHKD	D.O.	APVD	DATE
1						

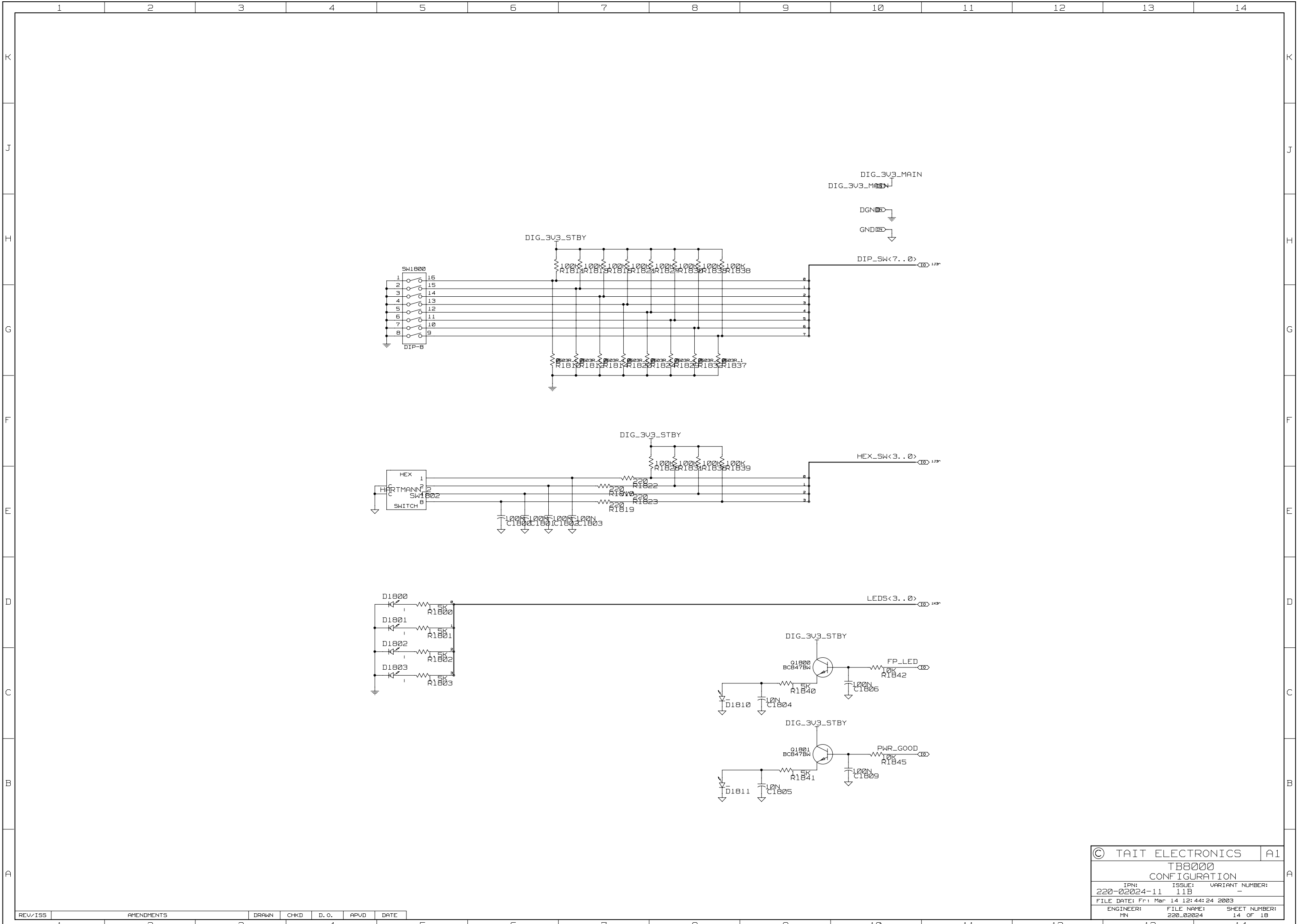


© TAIT ELECTRONICS		A1
T88000 MOD		
IPN: 220-02024-11	ISSUE: 11B	VARIANT NUMBER: -
FILE DATE: Fri Mar 14 12:44:21 2003		
ENGINEER: MN	FILE NAME: 220_02024	SHEET NUMBER: 11 OF 18

REV/ISS	AMENDMENTS	DRAWN	CHKD	D.O.	APVD	DATE
1						

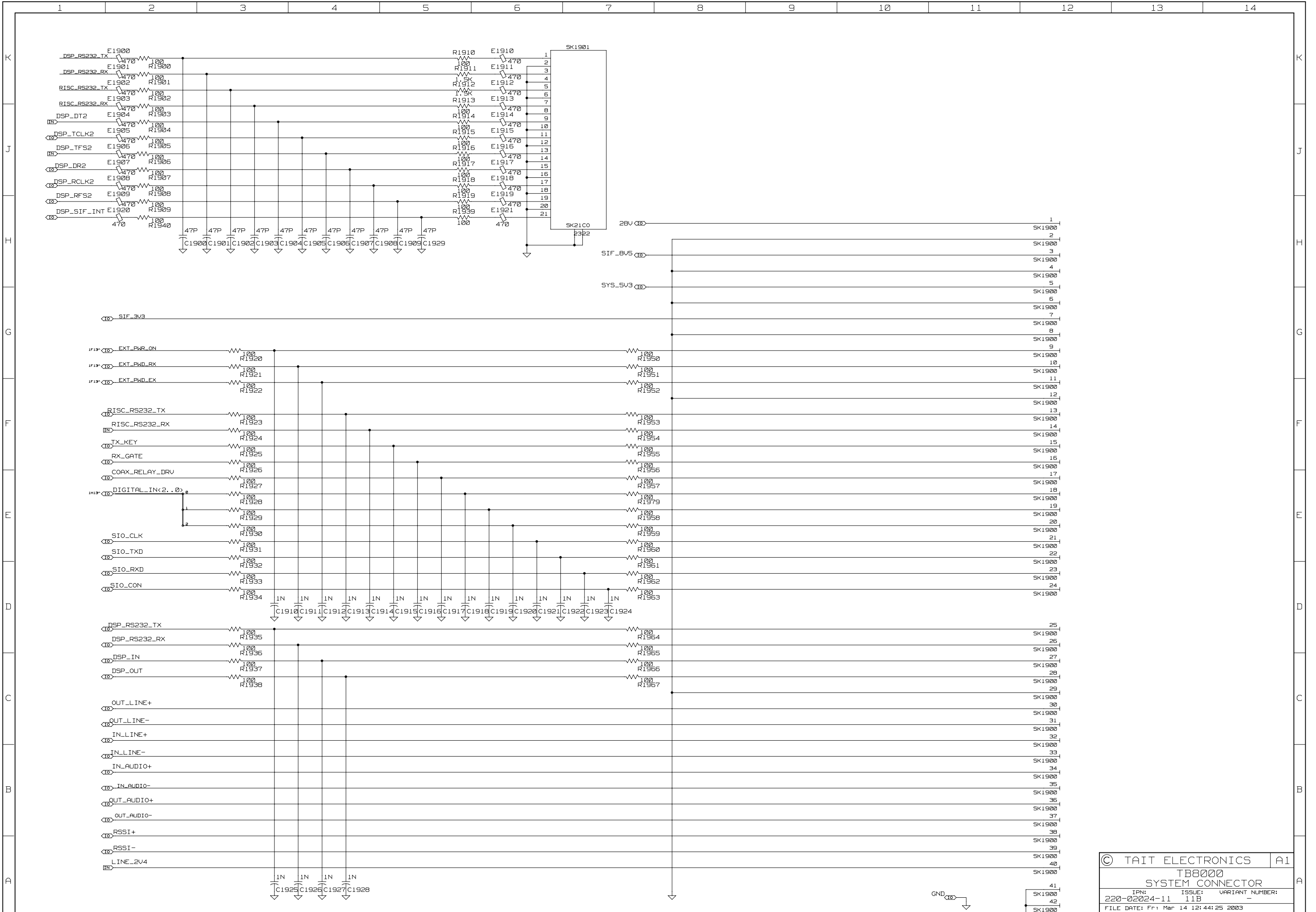






© TAIT ELECTRONICS		A1
T8800 CONFIGURATION		
IPN: 220-02024-11	ISSUE: 11B	VARIANT NUMBER: -
FILE DATE: Fri Mar 14 12:44:24 2003		
ENGINEER: MN	FILE NAME: 220_02024	SHEET NUMBER: 14 OF 18

REV/ISS	AMENDMENTS	DRAWN	CHKD	D.O.	APVD	DATE
1						

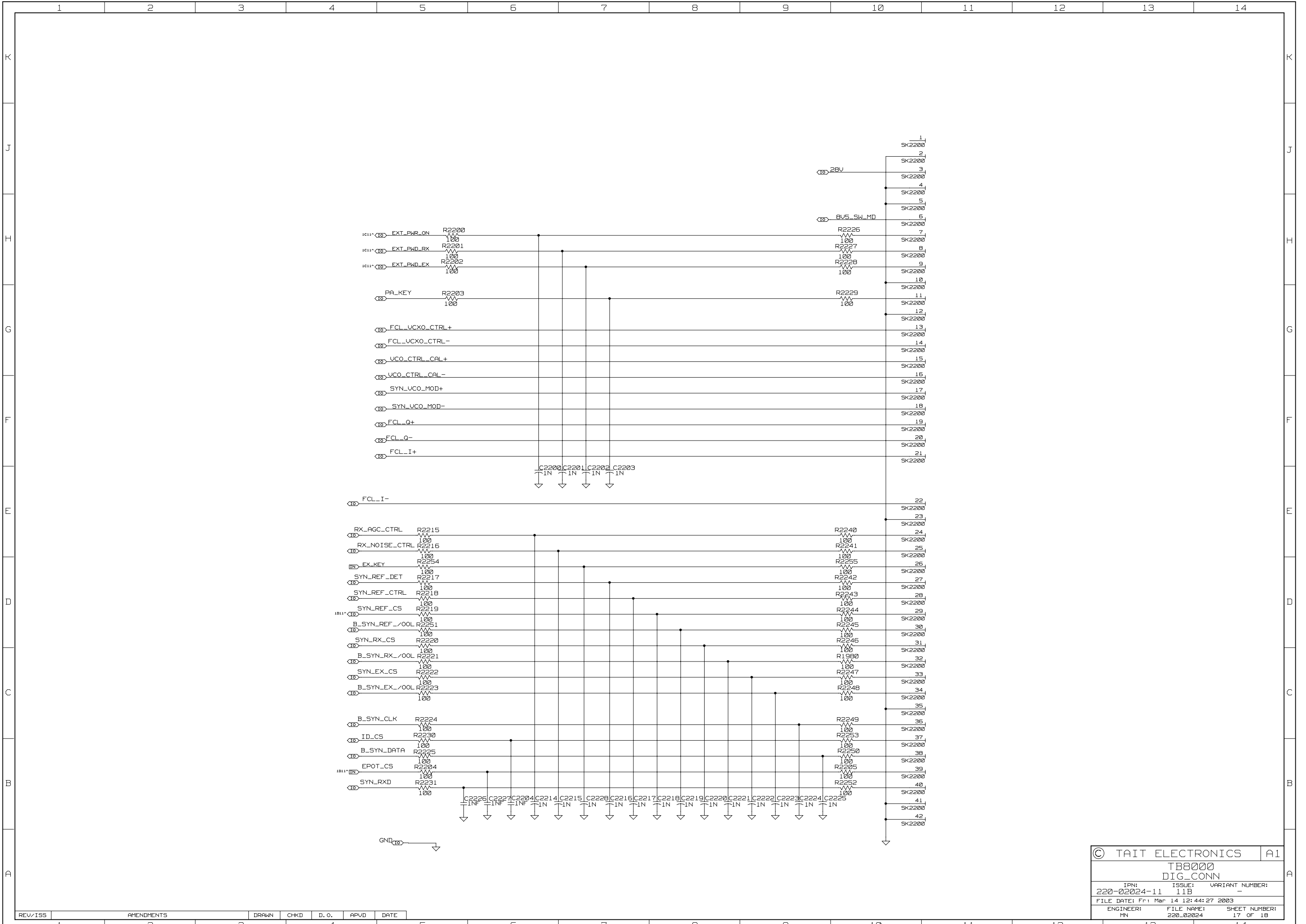


© TAIT ELECTRONICS		A1
TB8000 SYSTEM CONNECTOR		
IPN: 220-02024-11	ISSUE: 11B	VARIANT NUMBER: -
FILE DATE: Fri Mar 14 12:44:25 2003		
ENGINEER: MN	FILE NAME: 220_02024	SHEET NUMBER: 15 OF 18

REV/ISS	AMENDMENTS	DRAWN	CHKD	D.O.	APVD	DATE
1						

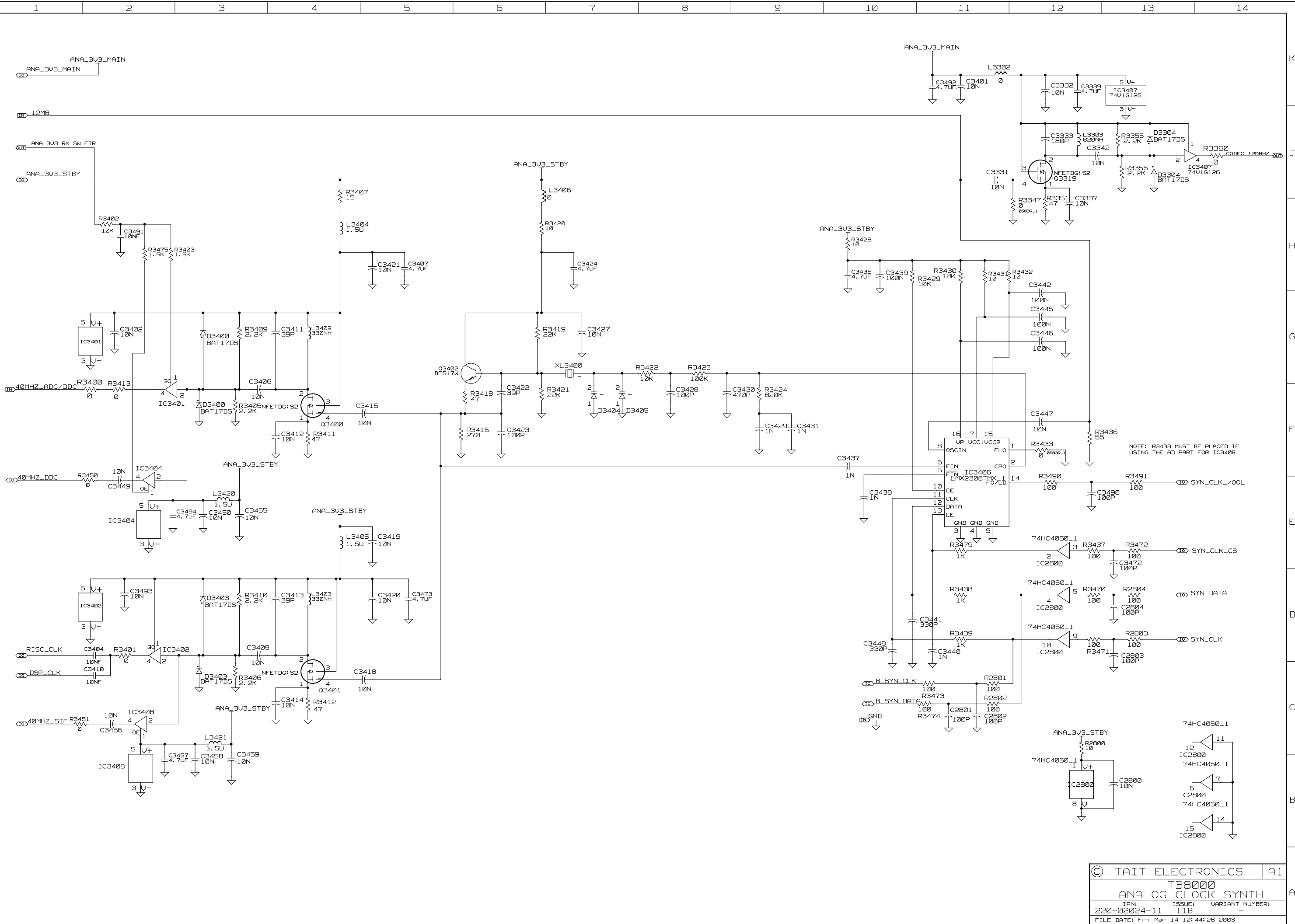






© TAIT ELECTRONICS		A1
TB8000 DIG_CONN		
IPN: 220-02024-11	ISSUE: 11B	VARIANT NUMBER: -
FILE DATE: Fri Mar 14 12:44:27 2003		
ENGINEER: MN	FILE NAME: 220_02024	SHEET NUMBER: 17 OF 18

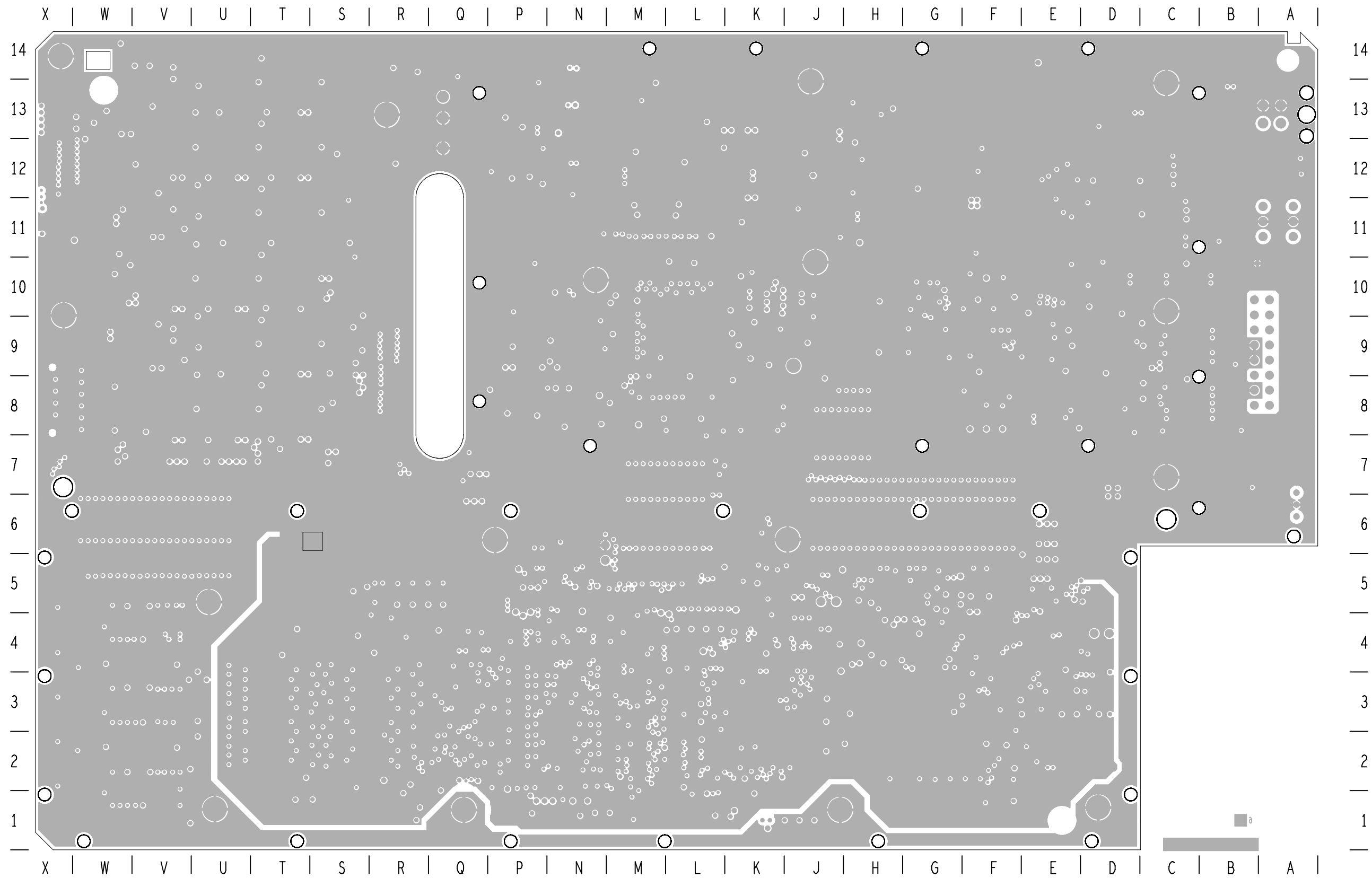
REV/ISS	AMENDMENTS	DRAWN	CHKD	D. O.	APVD	DATE
1						



© TAIT ELECTRONICS		A1
T88000		
ANALOG CLOCK SYNTH		
IPN:	ISSUE:	VARIANT NUMBER:
220-02024-11	11B	-
FILE DATE:	Fr: Mar 14 12:44:28 2003	
ENGINEER:	FILE NAME:	SHEET NUMBER:
MN	220_02024	18 OF 18

REV/ISS	AMENDMENTS	DRAWN	CHKD	D.O.	APVD	DATE
1						





	IPN:	AssyISS:	DATE:
	220-02024-11	A	7Mar03
TB8000 Reciter Control 220-02024-11_LAYOUT-SECONDARY-SIDE.ps			

NOT TO SCALE